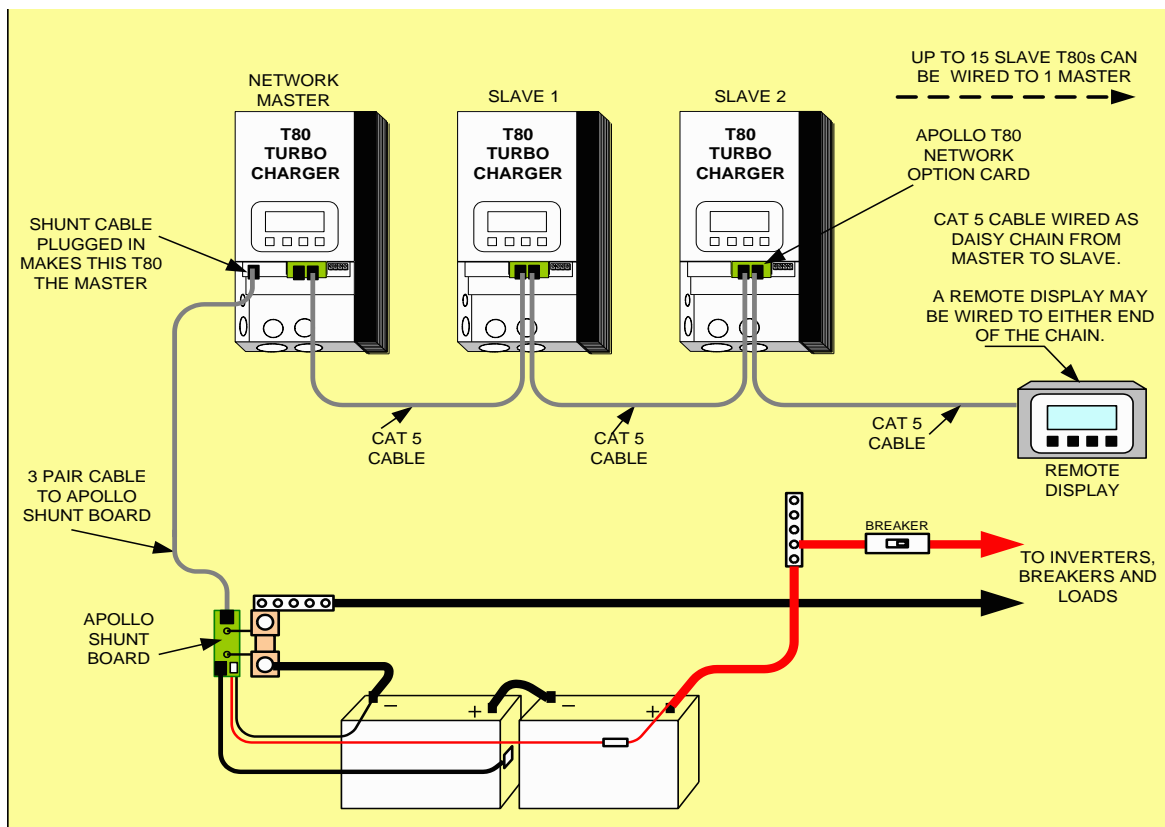


PARALLEL CHARGE CONTROLLERS

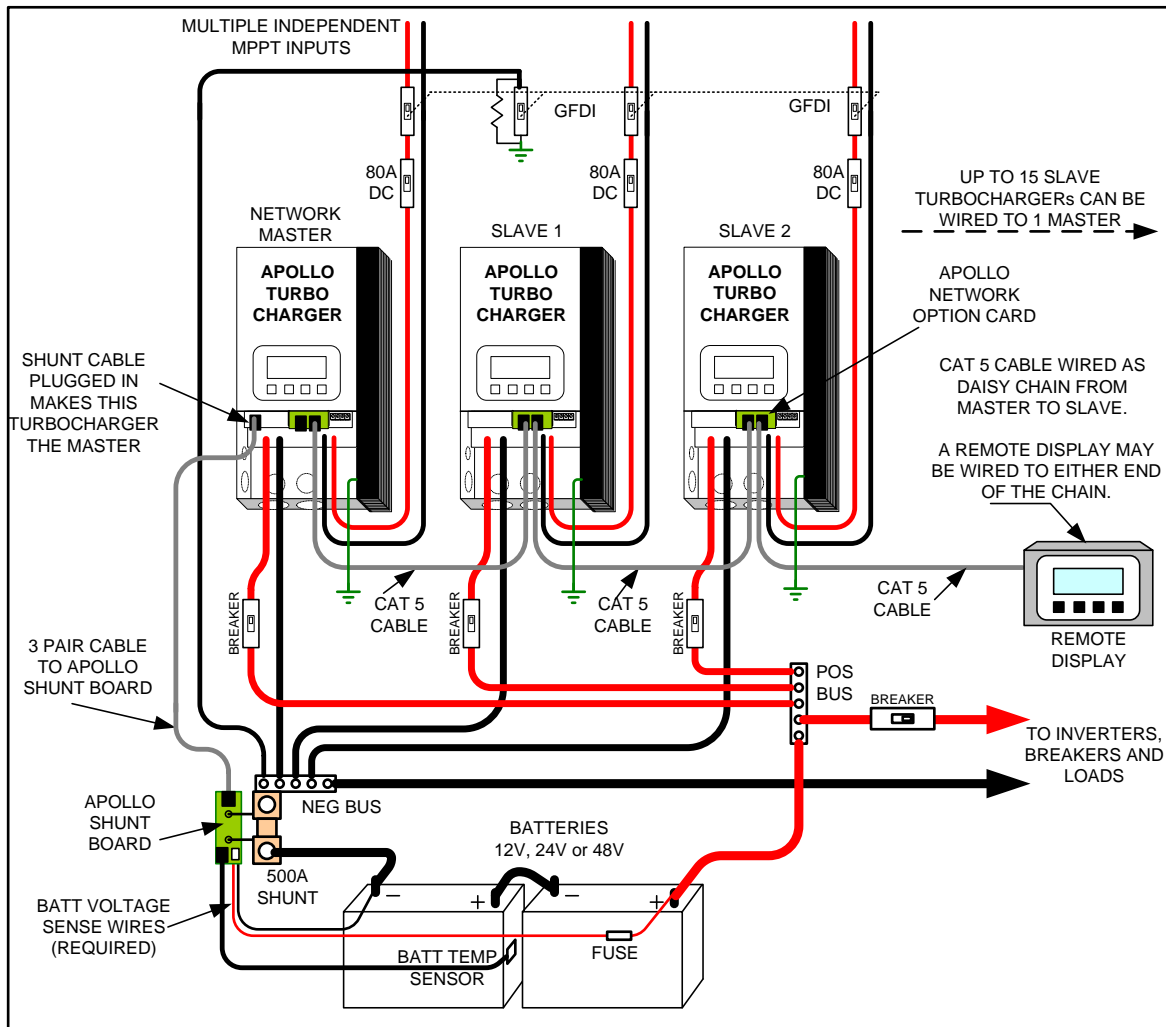
Since all the battery current must pass through a single SHUNT, there will only be one shunt in any system. When the system uses multiple T80 TurboChargers connected in parallel, the ASNET Option Cards (T80 Network Option Cards) are used to tie them together. Only ONE SHUNT with ONE SHUNT Board is used to measure the total accumulated current.

The figure immediately below is a simplified wiring diagram of the CAT 5 (Ethernet type) cable used to connect the T80 TurboChargers together in parallel using the ASNET Option Cards. The figure also shows the connection of multiple T80s to a single Shunt.



Please see the Apollo Solar T80 TurboCharger Installation Manual that comes with the ASNET Option Card for detailed instructions of set up and programming for parallel operation.

The figure below is the complete wiring diagram showing all the connections to the Apollo Solar T80 TurboChargers in parallel operation.



IIAN TECH CO.,LTD

www.iian.kr. iian@iian.kr. +82-31-776-0632