

# PS1800 CS-F12-2

## Solar Surface Pump System

### System Overview

Head	max. 22 m
Flow rate	max. 19 m <sup>3</sup> /h

### Technical Data

#### Controller PS1800

- Control inputs for dry running protection, remote control etc.
- Protected against reverse polarity, overload and overtemperature
- Integrated MPPT (Maximum Power Point Tracking)
- Battery operation: Integrated low voltage disconnect

Power	max. 1.8 kW
Input voltage	max. 200 V
Optimum Vmp*	> 102 V
Motor current	max. 14 A
Efficiency	max. 98 %
Ambient temp.	-30...50 °C
Enclosure class	IP54

#### Motor ECDRIVE 1800 CS-F

- Maintenance-free brushless DC motor
- Premium materials, stainless steel: AL/AISI 304

Rated power	1.7 kW
Efficiency	max. 92 %
Motor speed	900...3,300 rpm
Insulation class	F
Enclosure class	IPX4


#### Pump End PE CS-F12-2

- Premium materials

#### Pump Unit PU CS-F12-2 (Motor, Pump End)

Water temperature	max. 70 °C
Suction head	max. 3 m

### Standards

 2006/42/EC, 2004/108/EC, 2006/95/EC

IEC/EN 61702:1995,  
IEC/EN 62253 Ed.1

The logos shown reflect the approvals that have been granted for this product family. Products are ordered and supplied with the approvals specific to the market requirements.

\*Vmp: MPP-voltage under Standard Test Conditions (STC): 1000 W/m<sup>2</sup> solar irradiance, 25 °C cell temperature

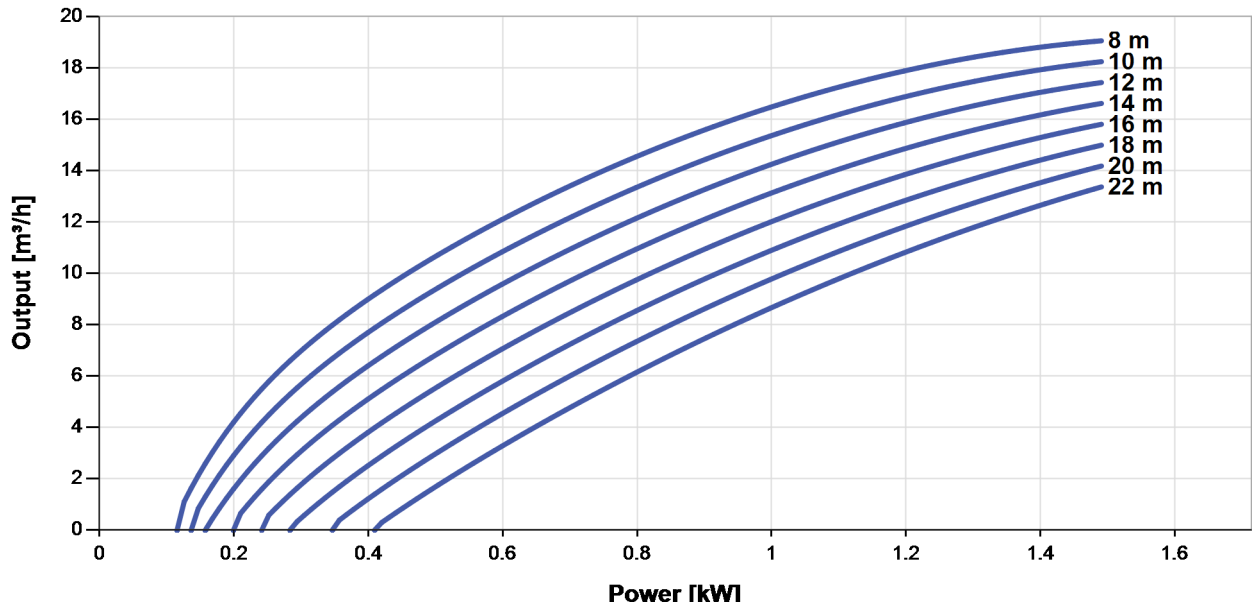


# PS1800 CS-F12-2

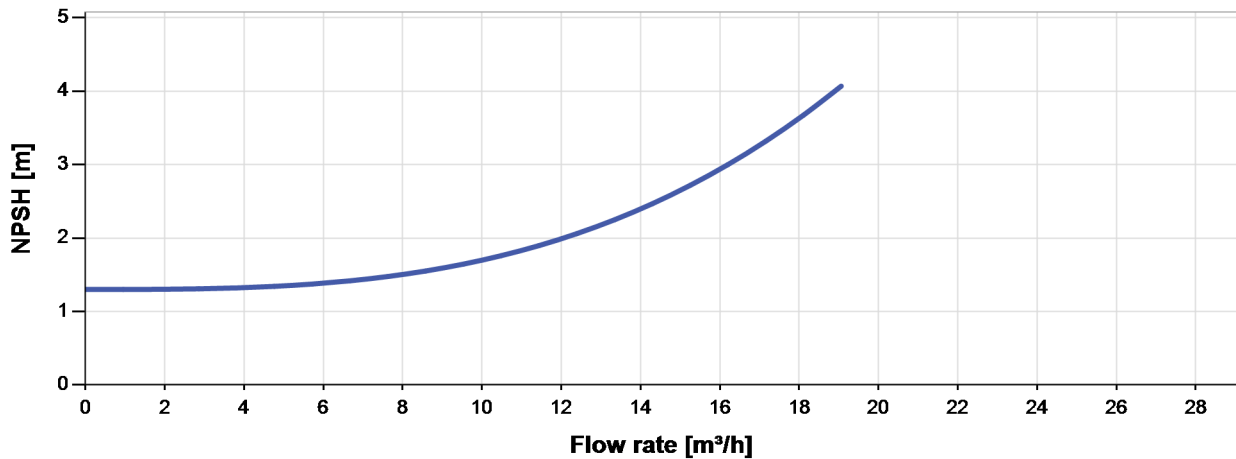
## Solar Surface Pump System

### Pump Chart

Vmp\* > 102 V



### NPSH



The NPSH (Net Positive Suction Head) is NOT the operating suction head. To calculate the operating suction head please refer to the installation manual.

\*Vmp: MPP-voltage under Standard Test Conditions (STC): 1000 W/m² solar irradiance, 25 °C cell temperature



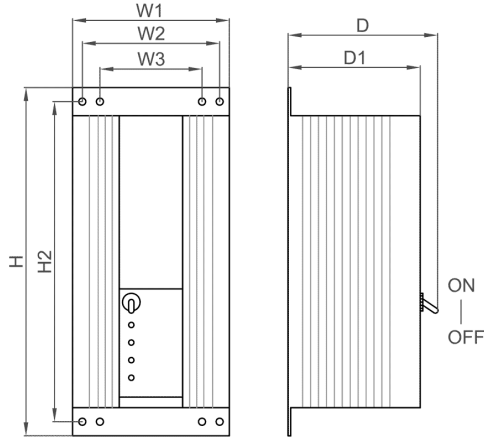
# PS1800 CS-F12-2

## Solar Surface Pump System

### Dimensions and Weights

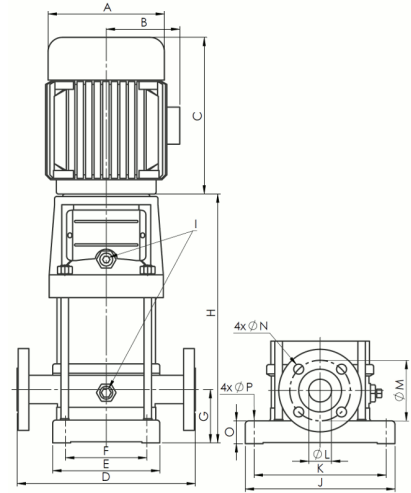
#### Controller

H = 396 mm  
 H2 = 364 mm  
 W1 = 178 mm  
 W2 = 156 mm  
 W3 = 116 mm  
 D = 165 mm  
 D1 = 150 mm



#### Pump Unit

A = 150 mm  
 B = 120 mm  
 C = 255 mm  
 D = 300 mm  
 E = 199 mm  
 F = 130 mm  
 G = 90 mm  
 H = 367 mm  
 I = G1/2"  
 J = 247 mm  
 K = 215 mm  
 L = 50 mm  
 M = 125 mm  
 N = 18 mm  
 O = 35 mm  
 P = 14 mm



	Net weight
Controller	4.5 kg
Pump Unit	35 kg
Motor	9.9 kg
Pump End	25 kg

